

PROCESSOR
252 SHEET 4
DSP AUDIO

RECEIVER
246 SHEET 3

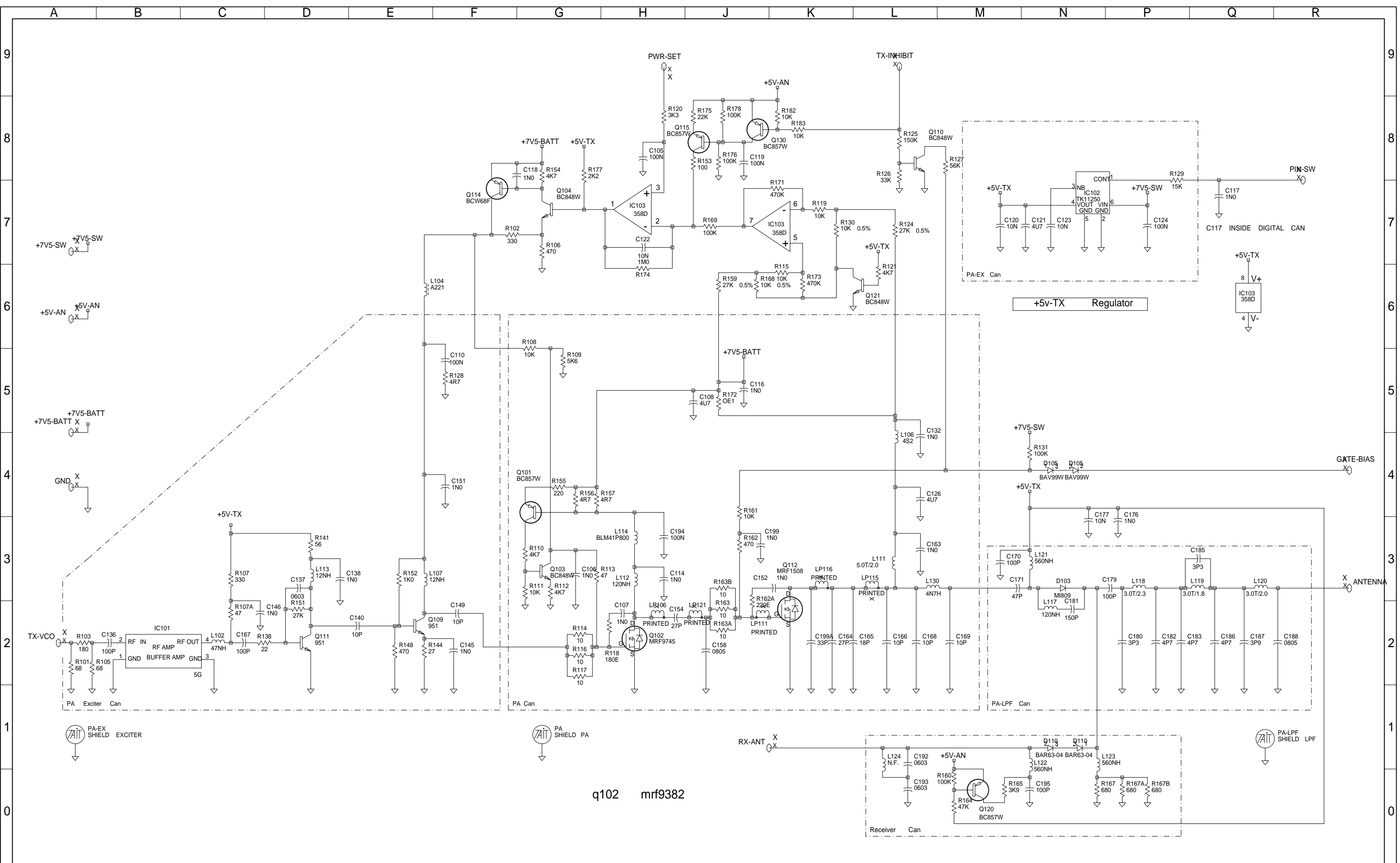
SYNTH-VCO
2922 SHEET 5

VCO
sheet 6

POWER-AMP
93 SHEET 2

© TAIT ELECTRONICS	
ORCA	:TOP-I2110 450-530MHZ SYSTEM DIAGRAM
IPN: 220-01573-01	ISSUE: A
DESIGNER: DBH	FILE NAME: 157301A
FILE DATE: 16-11-98	NO.SHEETS: 7

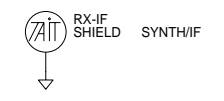
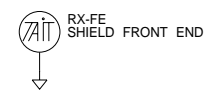
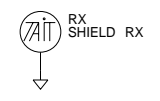
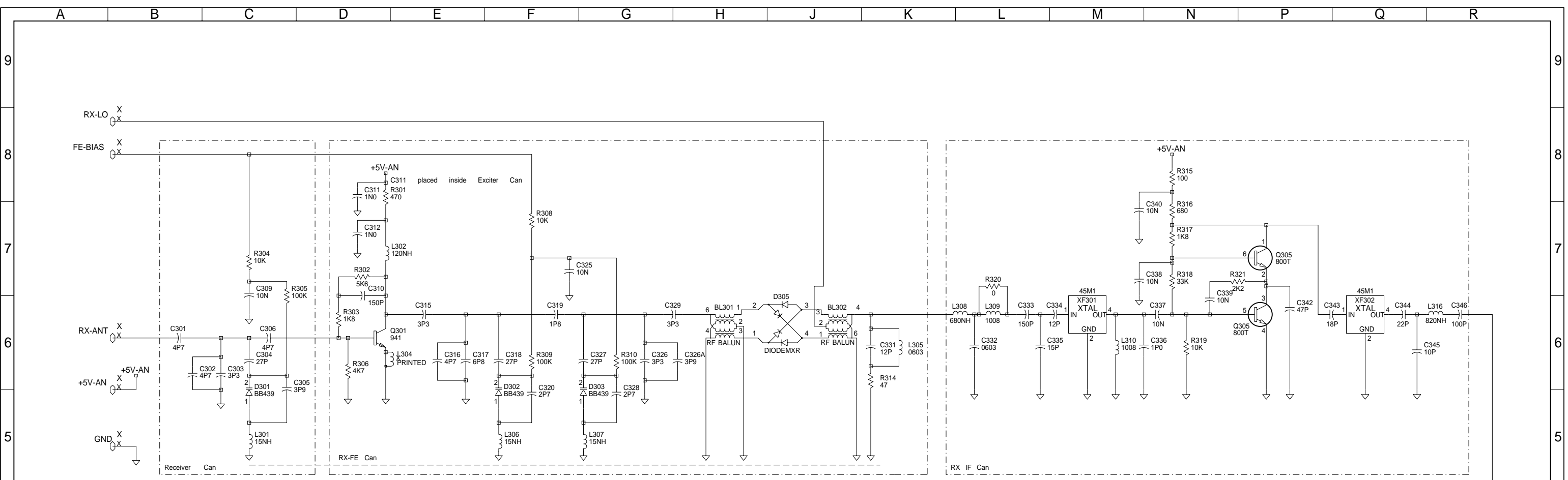
08	UPDATED MUTE CIRCUITRY	DBH	X	X	X	X
REV/ISS	AMENDMENTS	DRAWN	CHKD	D.O.	APVD	DATE



q102 mrf9382

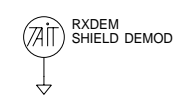
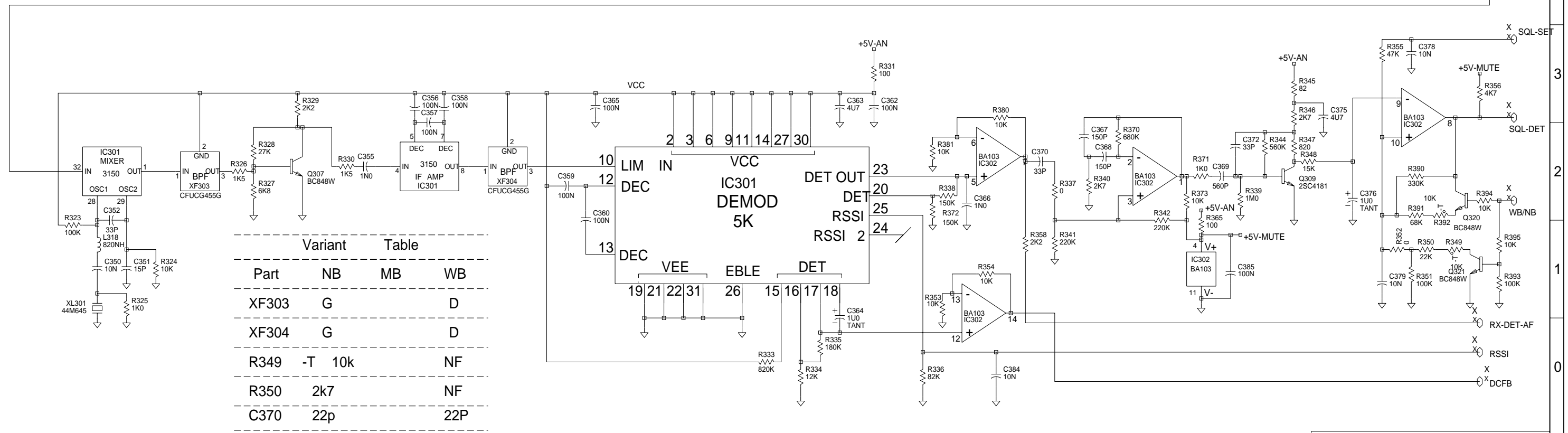
© TAIT ELECTRONICS	
ORCA	:TOP-I2110 450-530MHZ POWER AMPLIFIER
IPN: 220-01573-01	ISSUE: A
DESIGNER: DBH	FILE NAME: 139208A
DATE: 16-11-98	NO. SHEETS: 7

REV/ISS	AMENDMENTS	DRAWN	CHKD	D.O.	APVD	DATE
A						



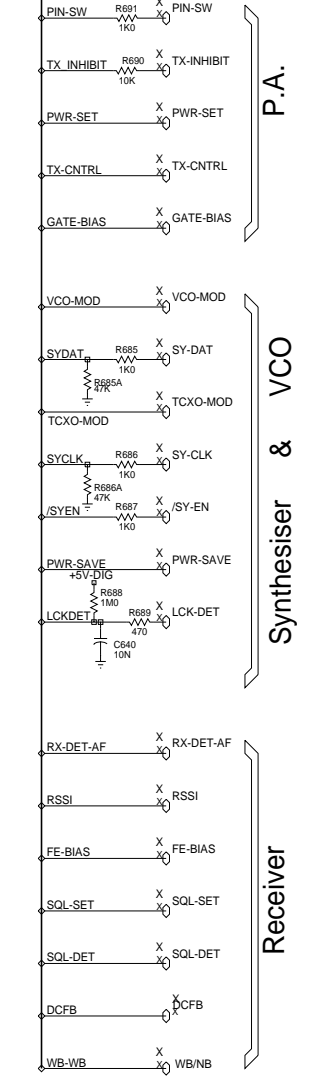
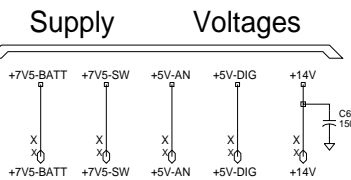
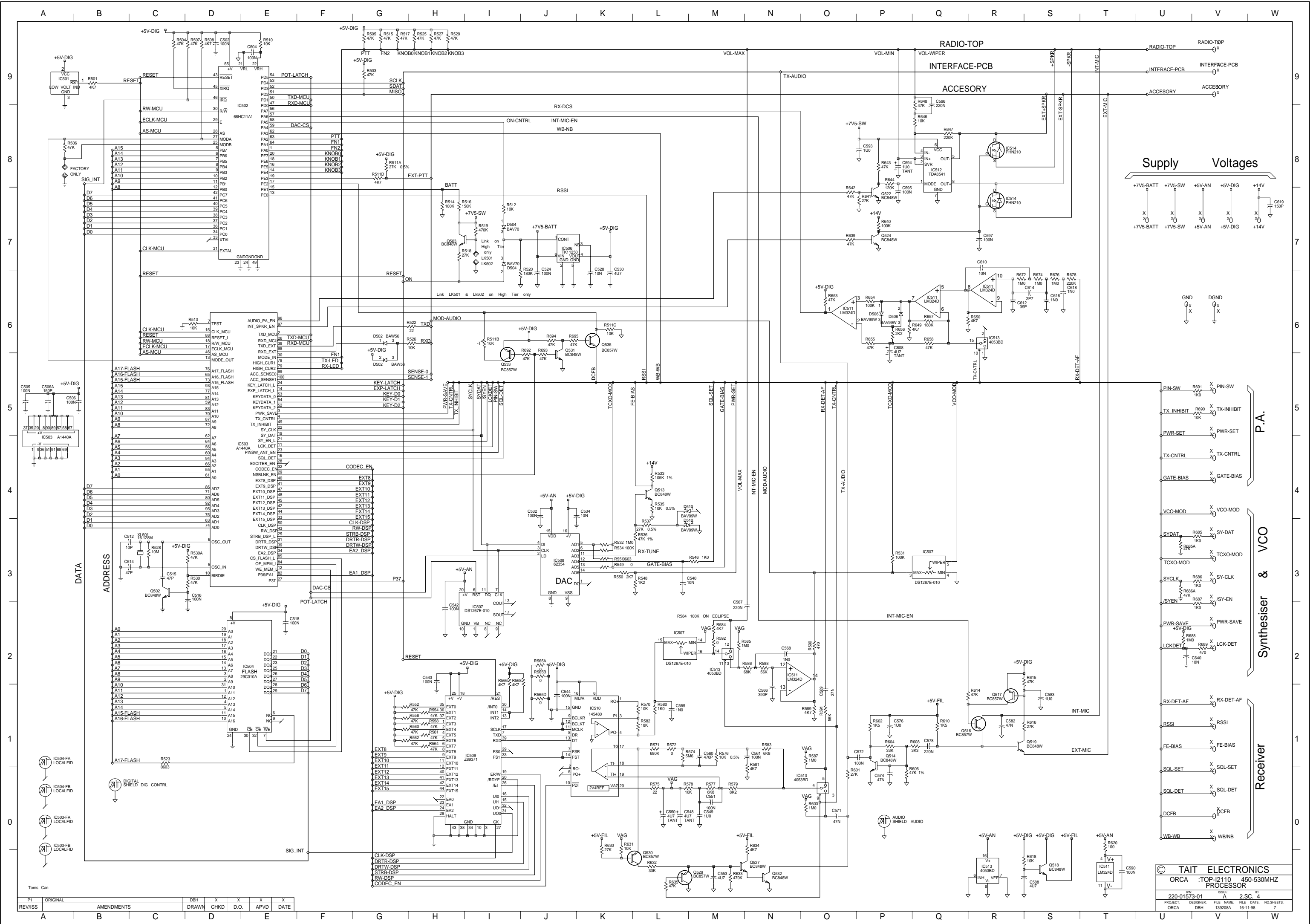
Variant Table

Part	NB	MB	WB
XF303	G		D
XF304	G		D
R349	-T	10k	NF
R350	2k7		NF
C370	22p		22P
C369	330P		330P



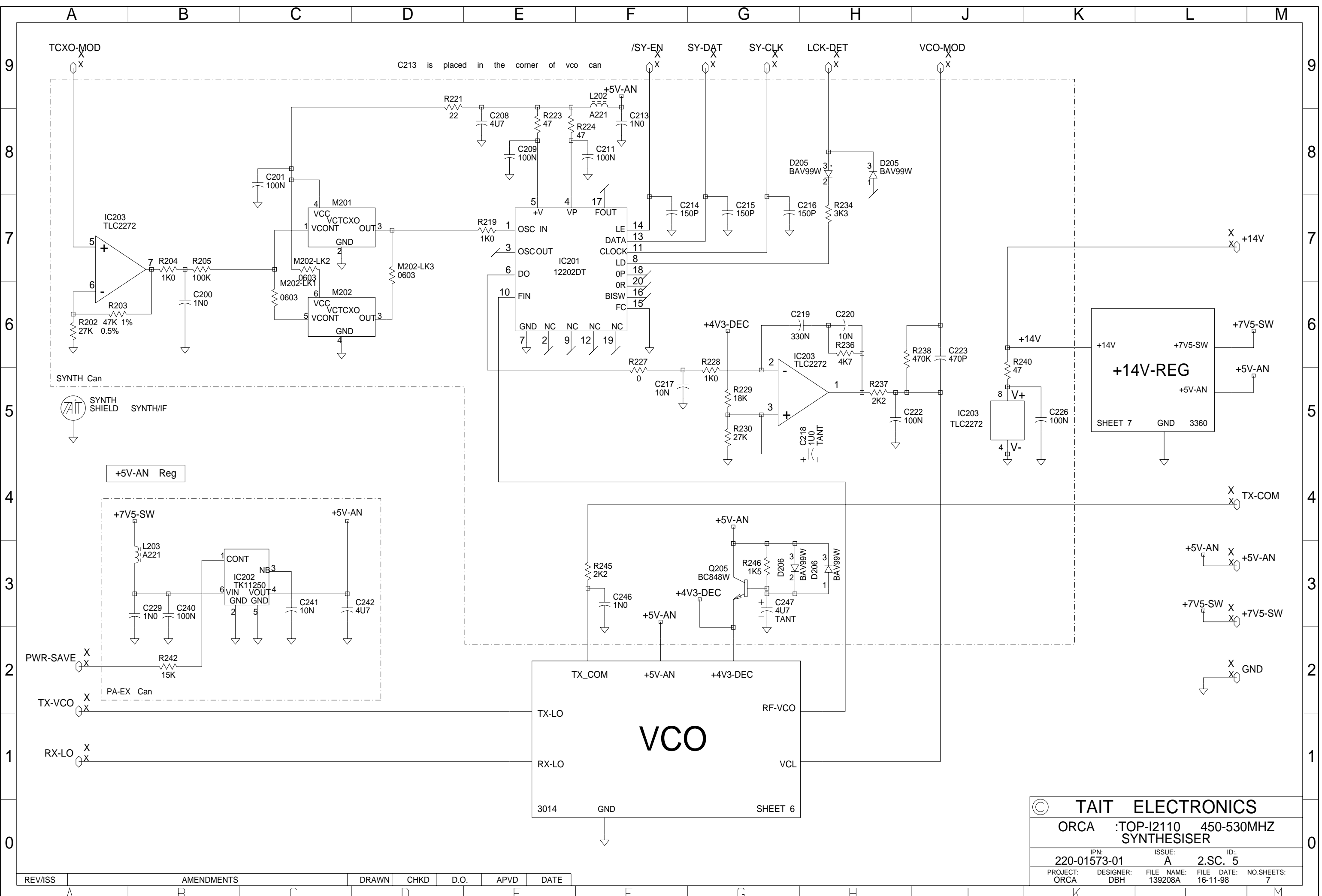
© TAIT ELECTRONICS
 ORCA :TOP-I2110 450-530MHZ RECEIVER
 IPN: 220-01573-01 ISSUE: A ID: 2.S.C. 3
 PROJECT: ORCA DESIGNER: DBH FILE NAME: 139208A FILE DATE: 16-11-98 NO.SHEETS: 7

REV/ISS	AMENDMENTS	DRAWN	CHKD	D.O.	APVD	DATE
A						



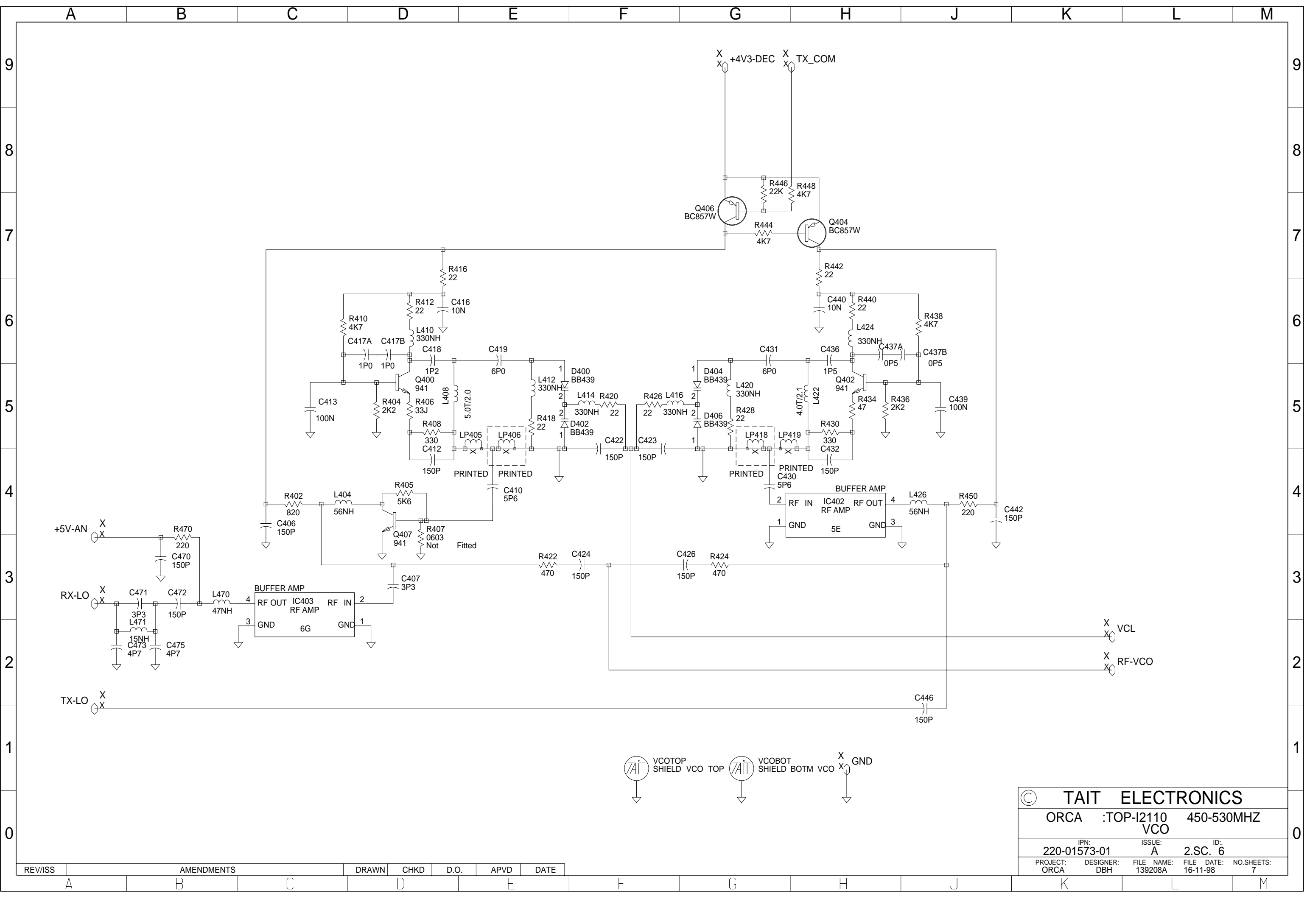
© TAIT ELECTRONICS
 ORCA :TOP-I2110 450-530MHZ
 PROCESSOR
 220-01573-01 2.SC.4
 PROJECT: DESIGNER: FILE NAME: FILE DATE: NO.SHEETS:
 ORCA DBH 130208A 16-11-98 7

REV/ISS	ORIGINAL	AMENDMENTS	DBH	X	X	X	X
			DRAWN	CHKD	D.O.	APVD	DATE
A							
B							
C							
D							
E							
F							
G							
H							
I							
J							
K							
L							
M							
N							
O							
P							
Q							
R							
S							
T							
U							
V							
W							



© TAIT ELECTRONICS
 ORCA :TOP-I2110 450-530MHZ SYNTHESISER
 IPN: 220-01573-01 ISSUE: A ID: 2.SC. 5
 PROJECT: ORCA DESIGNER: DBH FILE NAME: 139208A FILE DATE: 16-11-98 NO.SHEETS: 7

REV/ISS	AMENDMENTS	DRAWN	CHKD	D.O.	APVD	DATE



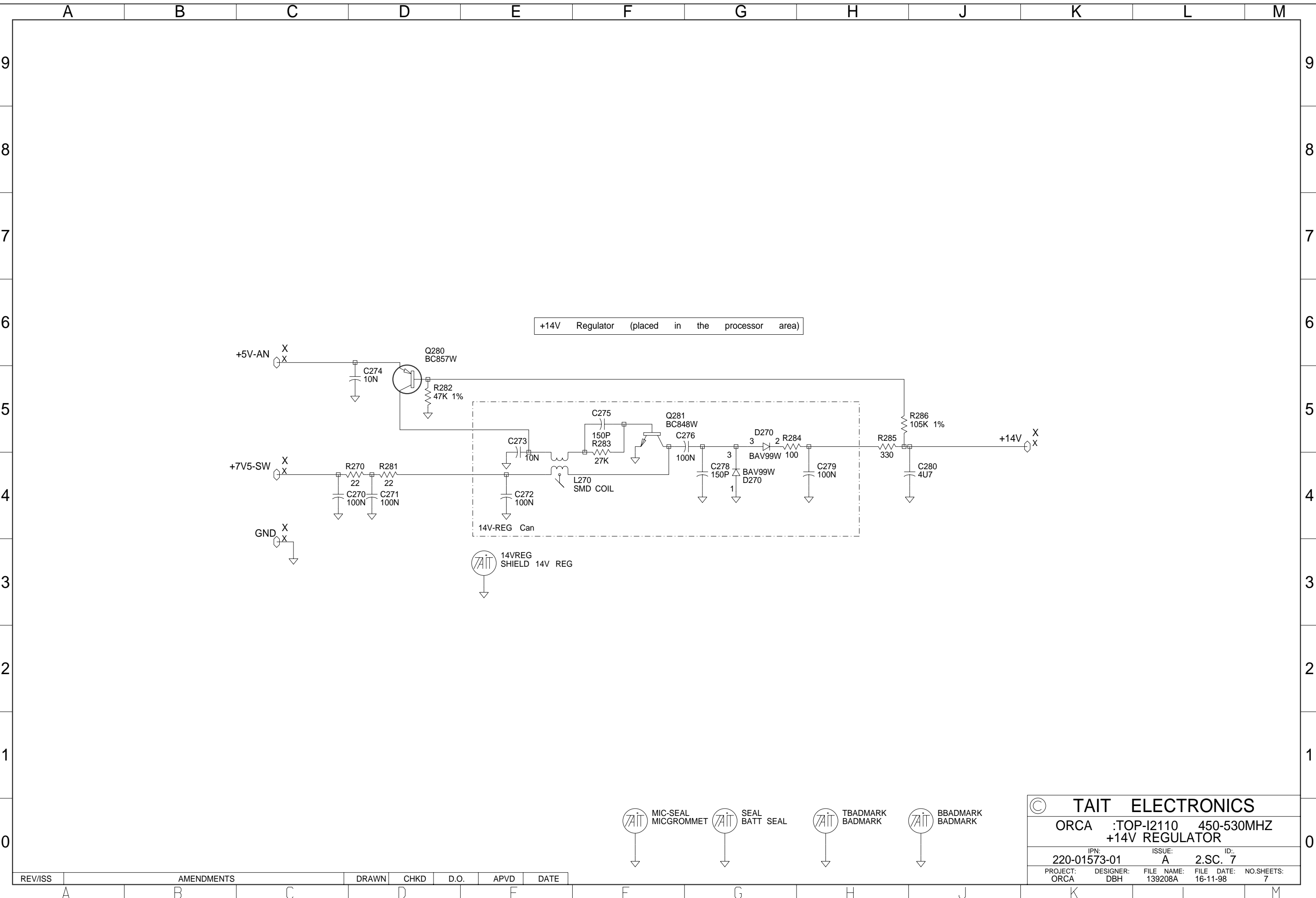
© TAIT ELECTRONICS

ORCA :TOP-I2110 450-530MHZ
VCO

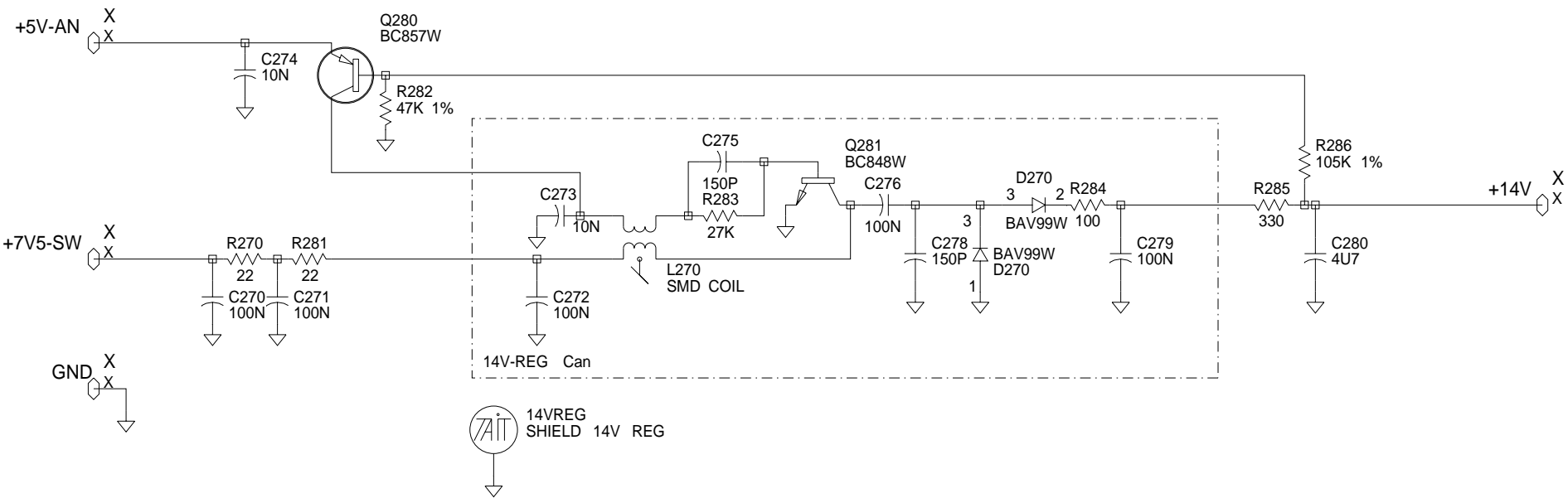
IPN: 220-01573-01 ISSUE: A ID: 2.SC. 6

PROJECT: ORCA DESIGNER: DBH FILE NAME: 139208A FILE DATE: 16-11-98 NO.SHEETS: 7





REV/ISS	AMENDMENTS	DRAWN	CHKD	D.O.	APVD	DATE



+14V Regulator (placed in the processor area)

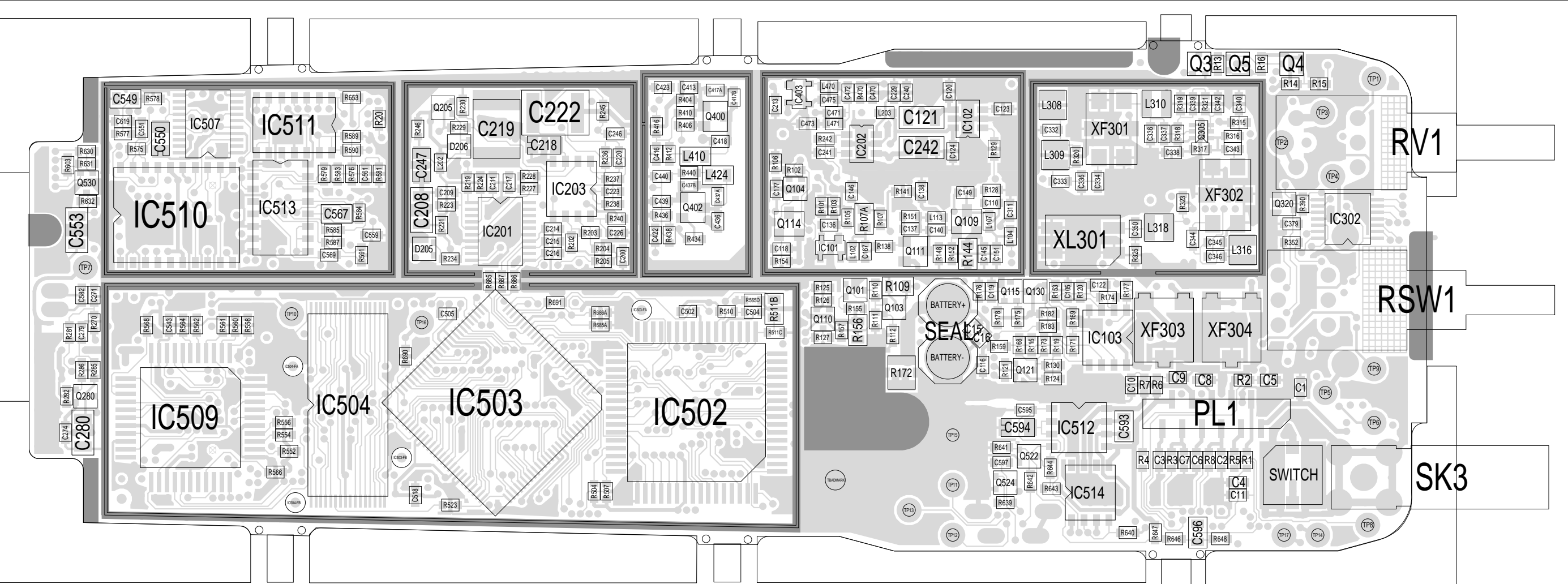


14VREG SHIELD 14V REG

-  MIC-SEAL MICGROMMET
-  SEAL BATT SEAL
-  TBADMARK BADMARK
-  BBADMARK BADMARK

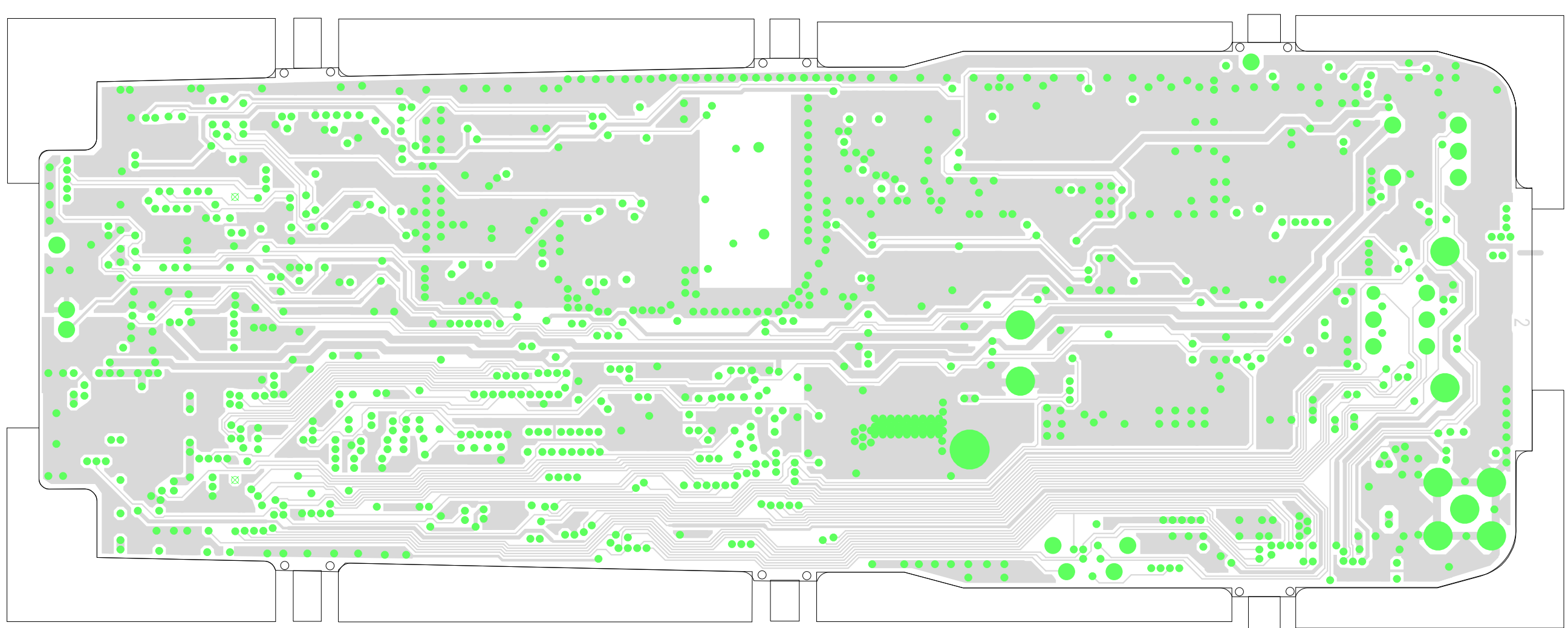
© TAIT ELECTRONICS				
ORCA		:TOP-I2110		450-530MHZ
+14V REGULATOR				
IPN: 220-01573-01		ISSUE: A		ID: 2.SC. 7
PROJECT: ORCA	DESIGNER: DBH	FILE NAME: 139208A	FILE DATE: 16-11-98	NO.SHEETS: 7

REV/ISS	AMENDMENTS	DRAWN	CHKD	D.O.	APVD	DATE



TAIT ELECTRONICS IPN: 220-01573-01 ISS: -01A ID: 1.TA DATE: 17 Nov 1998
 ORCA UHF PCB LAYOUT - TOP SIDE

Scale: 2.3:1 ; Rotation: 0 degrees



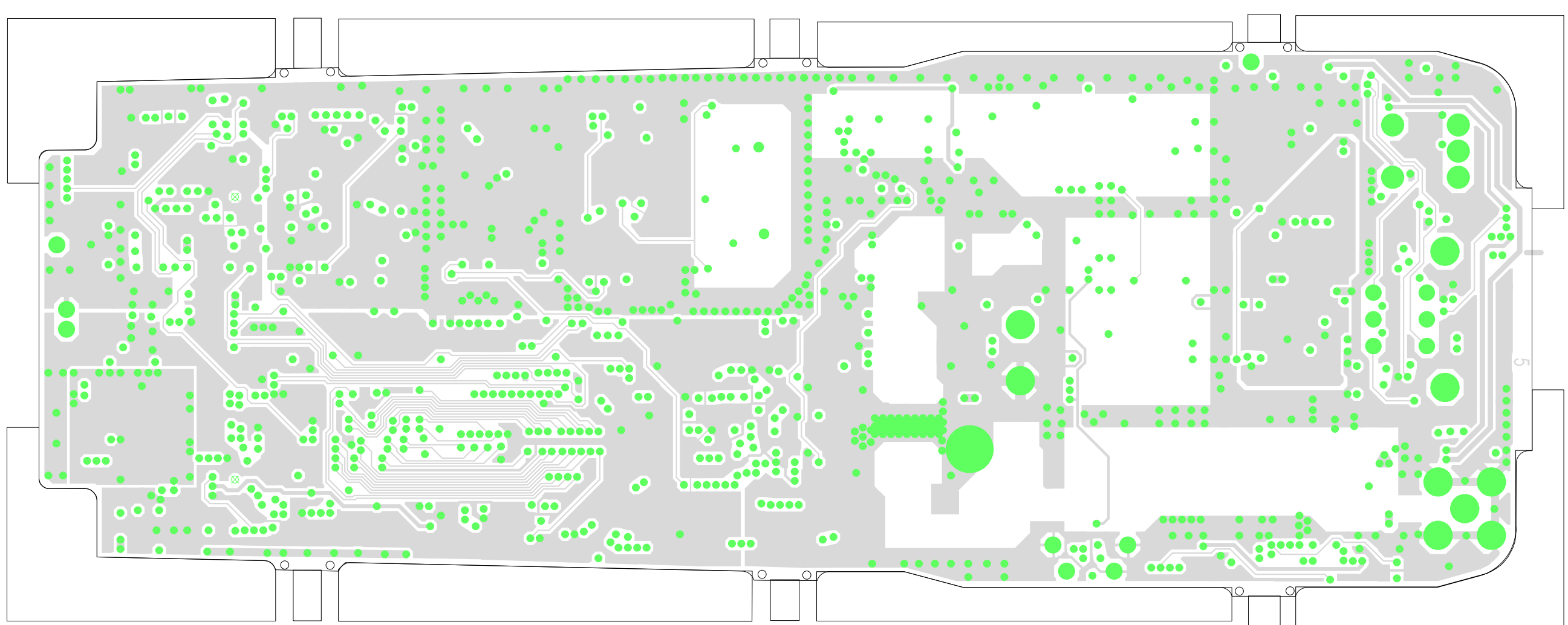
TAIT ELECTRONICS	IPN: 220-01573-01	ISS: -01A	ID: 2.CU	DATE: 17 Nov 1998
ORCA UHF COPPER LAYOUT - LAYER 2				

Scale:2.3:1 ; Rotation: 0 degrees



TAIT ELECTRONICS	IPN: 220-01573-01	ISS: -01A	ID: 4.CU	DATE: 17 Nov 1998
ORCA UHF COPPER LAYOUT - LAYER 4				

Scale:2.3:1 ; Rotation: 0 degrees



TAIT ELECTRONICS	IPN: 220-01573-01	ISS: -01A	ID: 5.CU	DATE: 17 Nov 1998
ORCA UHF COPPER LAYOUT - LAYER 5				

Scale:2.3:1 ; Rotation: 0 degrees

